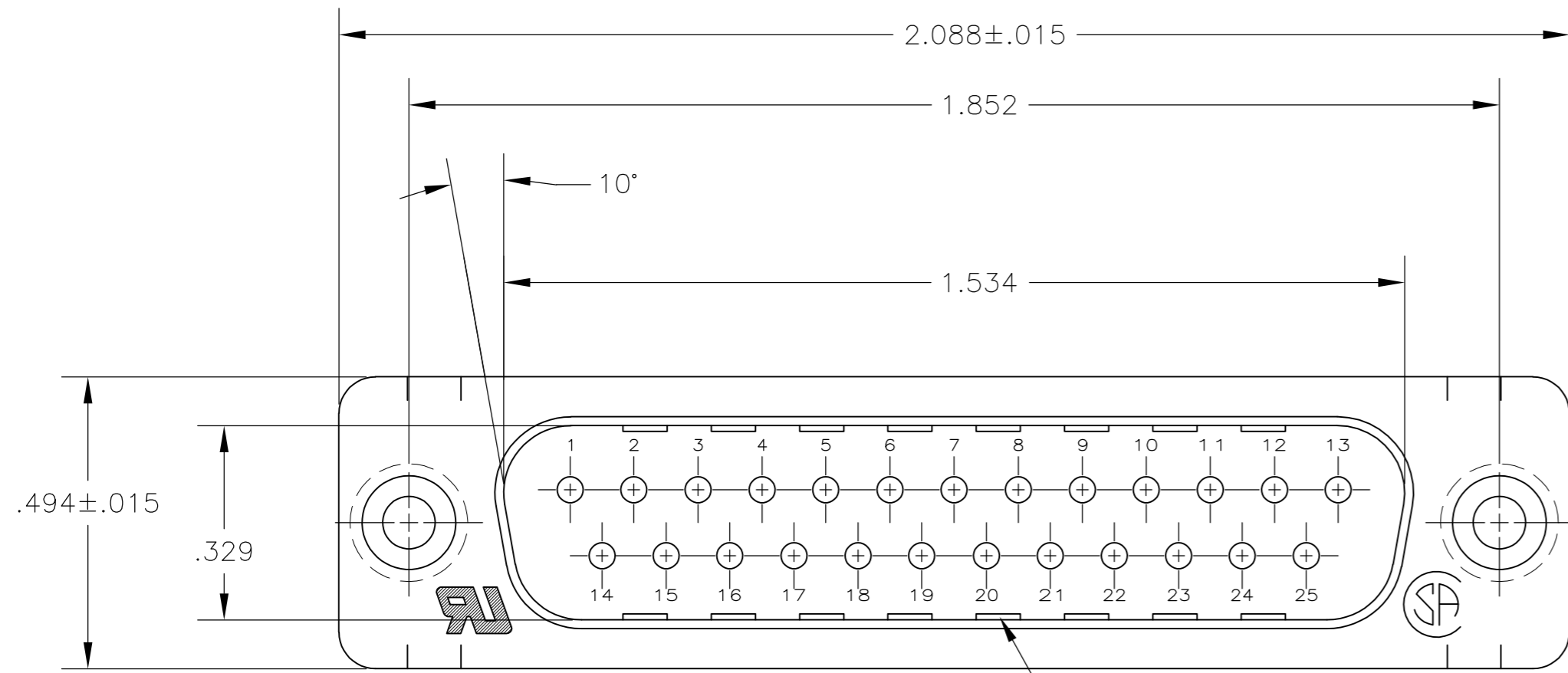
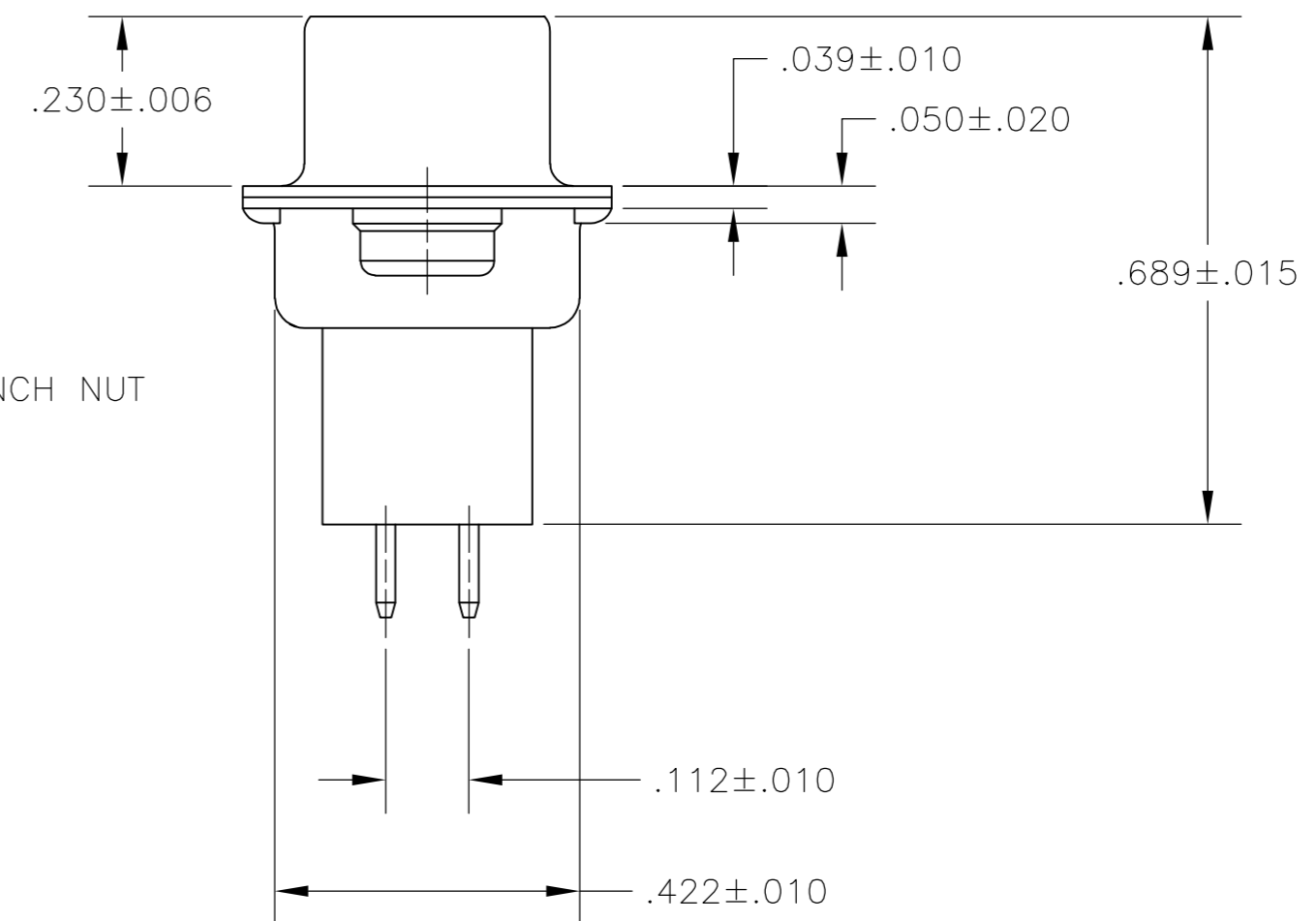
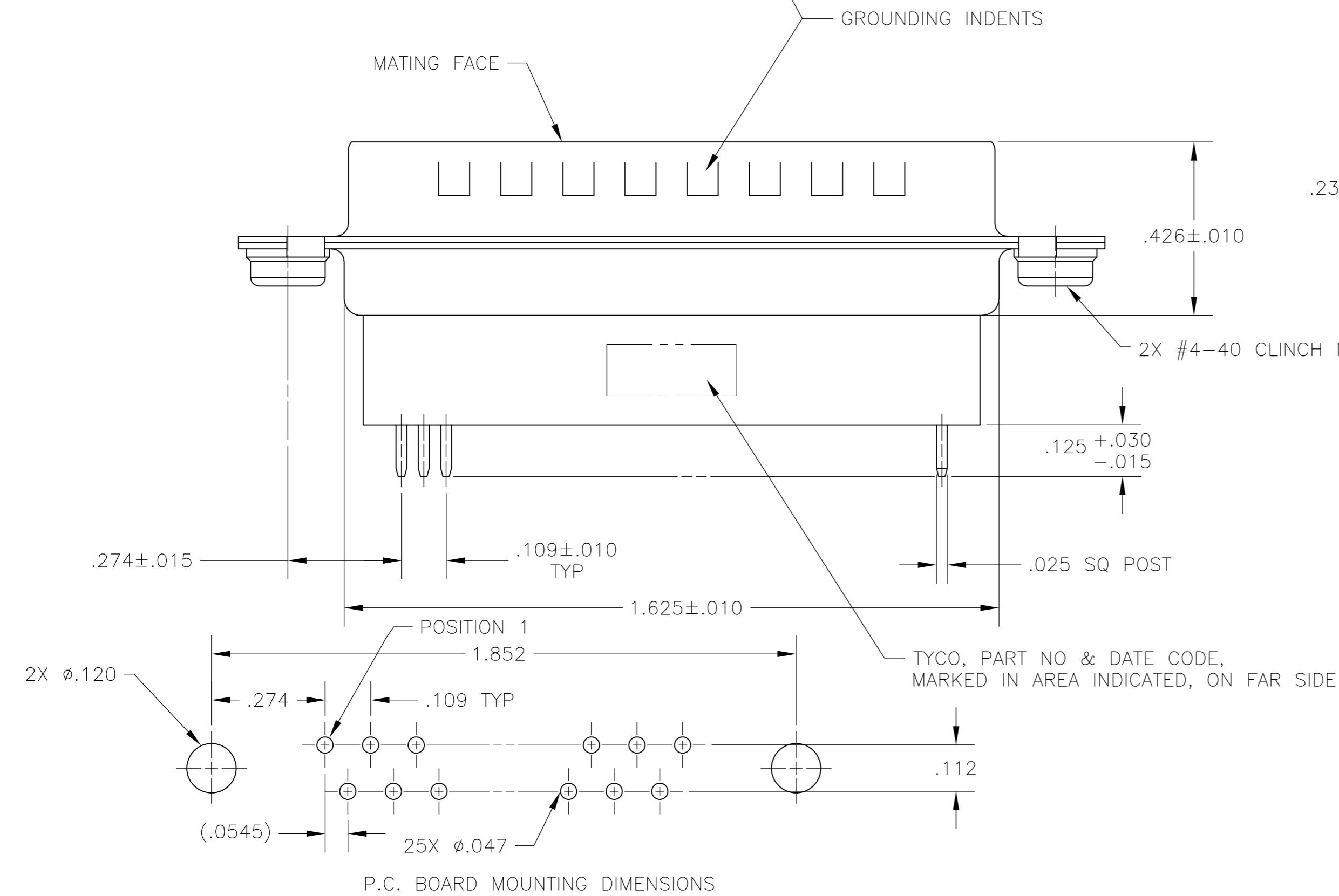


THIS DRAWING IS UNPUBLISHED. RELEASED FOR PUBLICATION  
 © COPYRIGHT 2005 By - ALL RIGHTS RESERVED.

LOC		DIST		REVISIONS			
P	LTR	DESCRIPTION	DATE	DWN	APVD		
GP	00						
		D	REVISED PER ECO-14-011808	12AUG2014	AP	SB	



- △ 1 MOLDED PARTS: GLASS-FILLED PBT OR GLASS-FILLED NYLON, UL94V-0 RATED. COLOR: BLACK.  
SHELLS: CARBON STEEL.  
CONTACTS: BRASS.  
CLINCH NUTS: BRASS.
- △ 2 SHELLS: .000200 MIN TIN OVER .000100 MIN COPPER.  
CLINCH NUTS: .000200 MIN ZINC WITH CLEAR CHROMATE COATING.  
CONTACTS: GOLD PLATED FOR A LENGTH OF .150 MIN FROM MATING END, .000030 MIN GOLD IN MATED AREA, .000100 MIN TIN ON OPPOSITE END, BOTH OVER .000050 MIN NICKEL.  
-OR-  
GOLD FLASH OVER PALLADIUM-NICKEL PLATED FOR A LENGTH OF .150 MIN FROM MATING END, .000030 MIN TOTAL IN MATED AREA, .000100 MIN TIN ON OPPOSITE END, BOTH OVER .000050 MIN NICKEL.



5745959

5745959-1  
PART NO

THIS DRAWING IS A CONTROLLED DOCUMENT.		DWN	19SEPT05	 TE Connectivity	PLUG ASSEMBLY, SIZE 3, 25 POSN, VERTICAL, .025 SQ. POSTS, CLINCH NUTS, AMPLIMITE HDP
DIMENSIONS: INCHES		CHK	19SEPT05		
TOLERANCES UNLESS OTHERWISE SPECIFIED:		APVD	19SEPT05		
0 PLC ± - 1 PLC ± - 2 PLC ± - 3 PLC ± .005 4 PLC ± - ANGLES ± - FINISH △ 2		NAME			
MATERIAL △ 1		PRODUCT SPEC 108-40025 APPLICATION SPEC 114-40013		SIZE	A2
		WEIGHT		CAGE CODE	00779
		CUSTOMER DRAWING		DRAWING NO	C=5745959
		SCALE		SHEET	1 of 1
				RESTRICTED TO	-
				REV	D